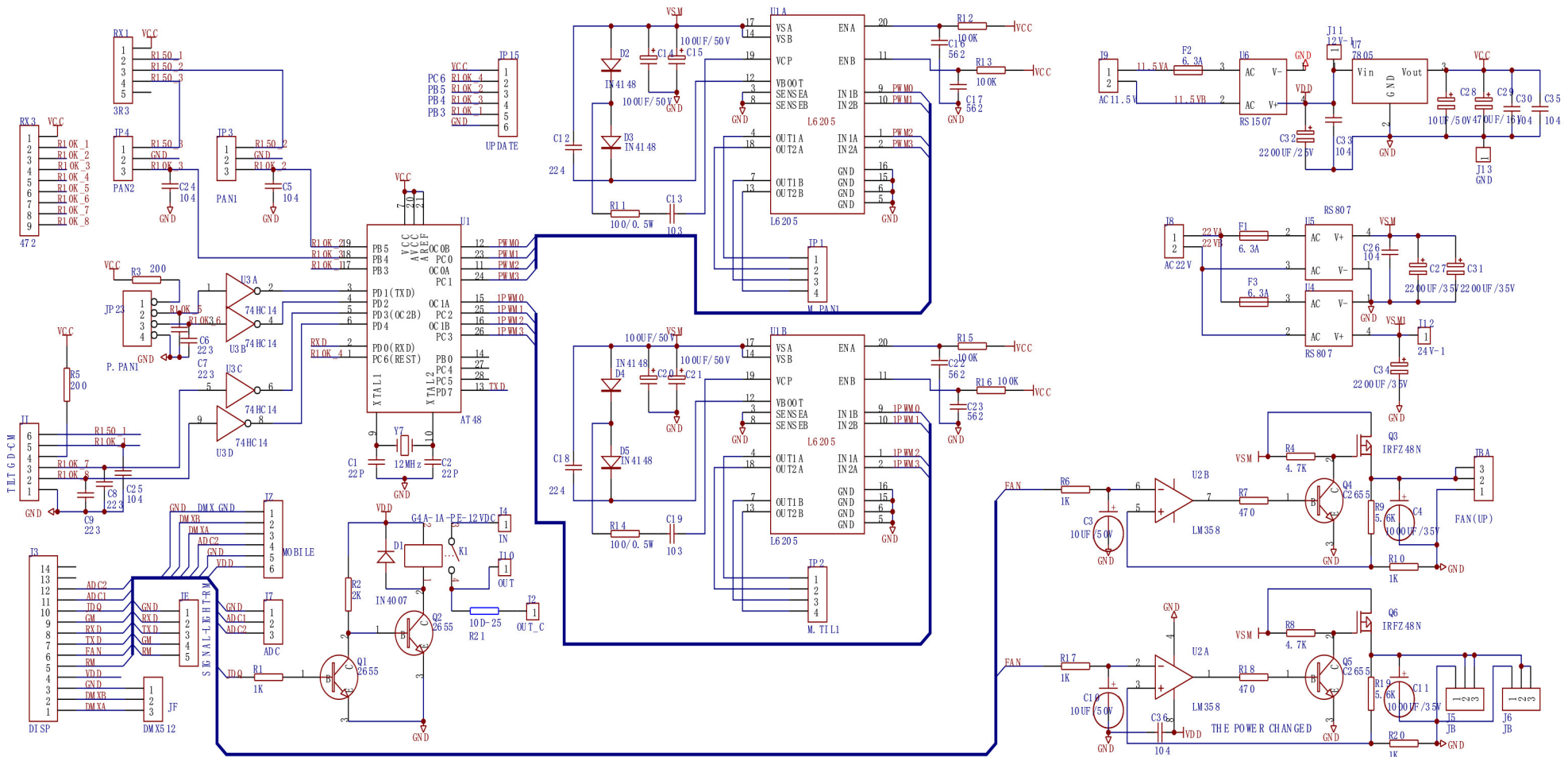
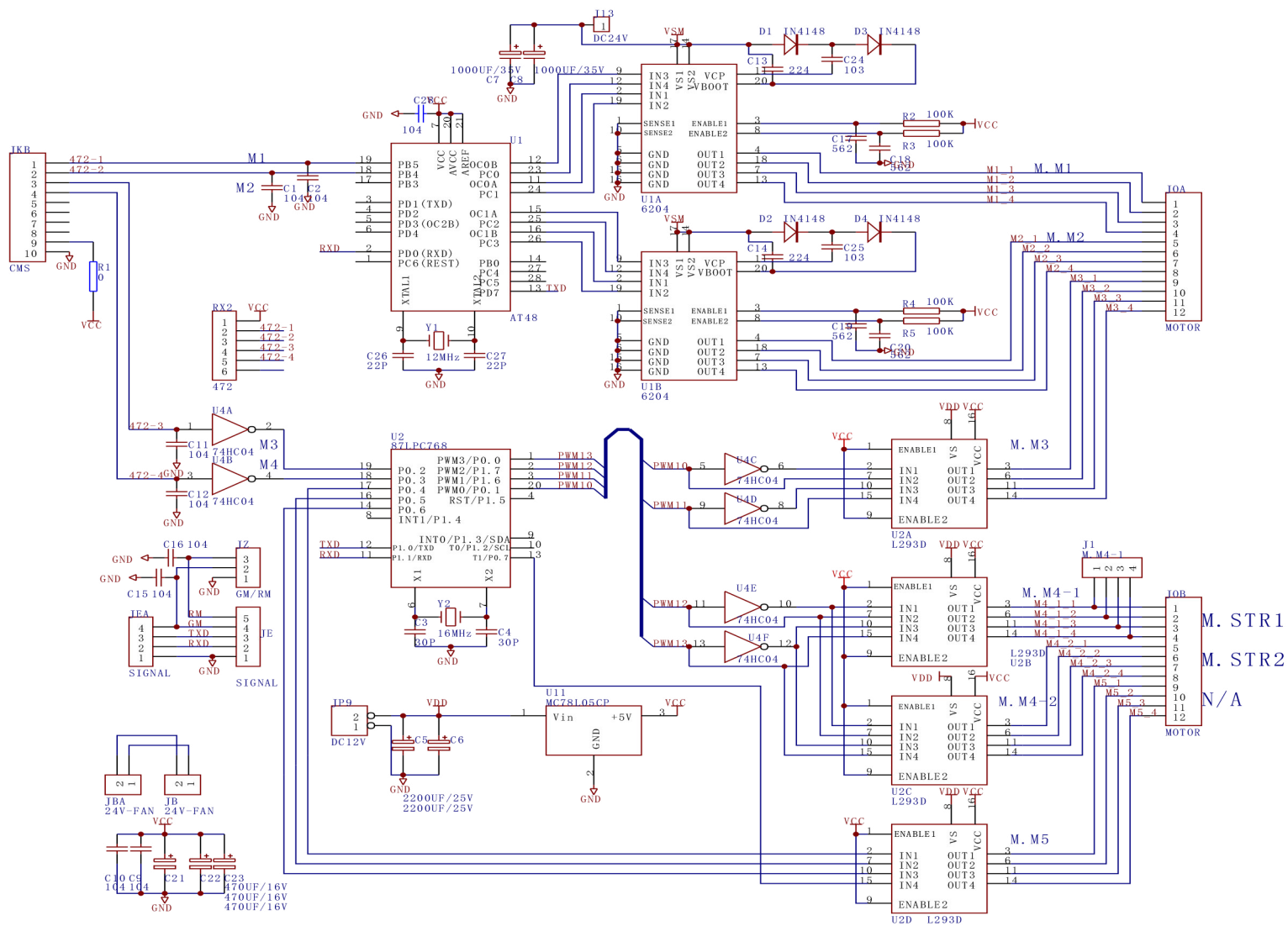


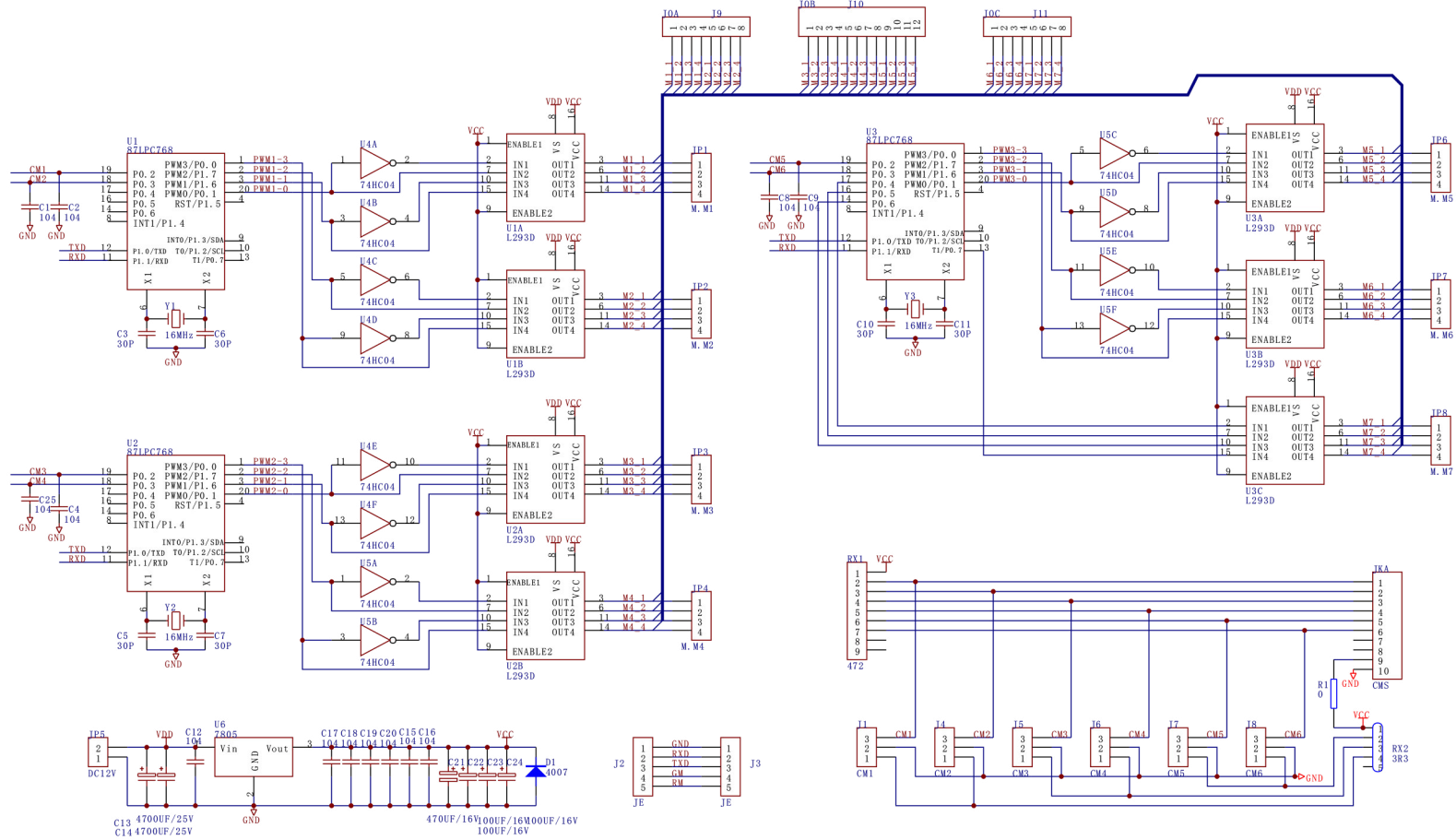
PRODUCT		<b>IDEA SPOT 575</b>			
PIC. NO.		<b>Nx575 ELECTRIC</b>			
EDIT		FILE NO.	GS-WIJL-A027	PAGE NO.	25/30
CHECK		VERSION	A	DATE	2007. 10. 10
APPROVE		ECN NO.		DATE	



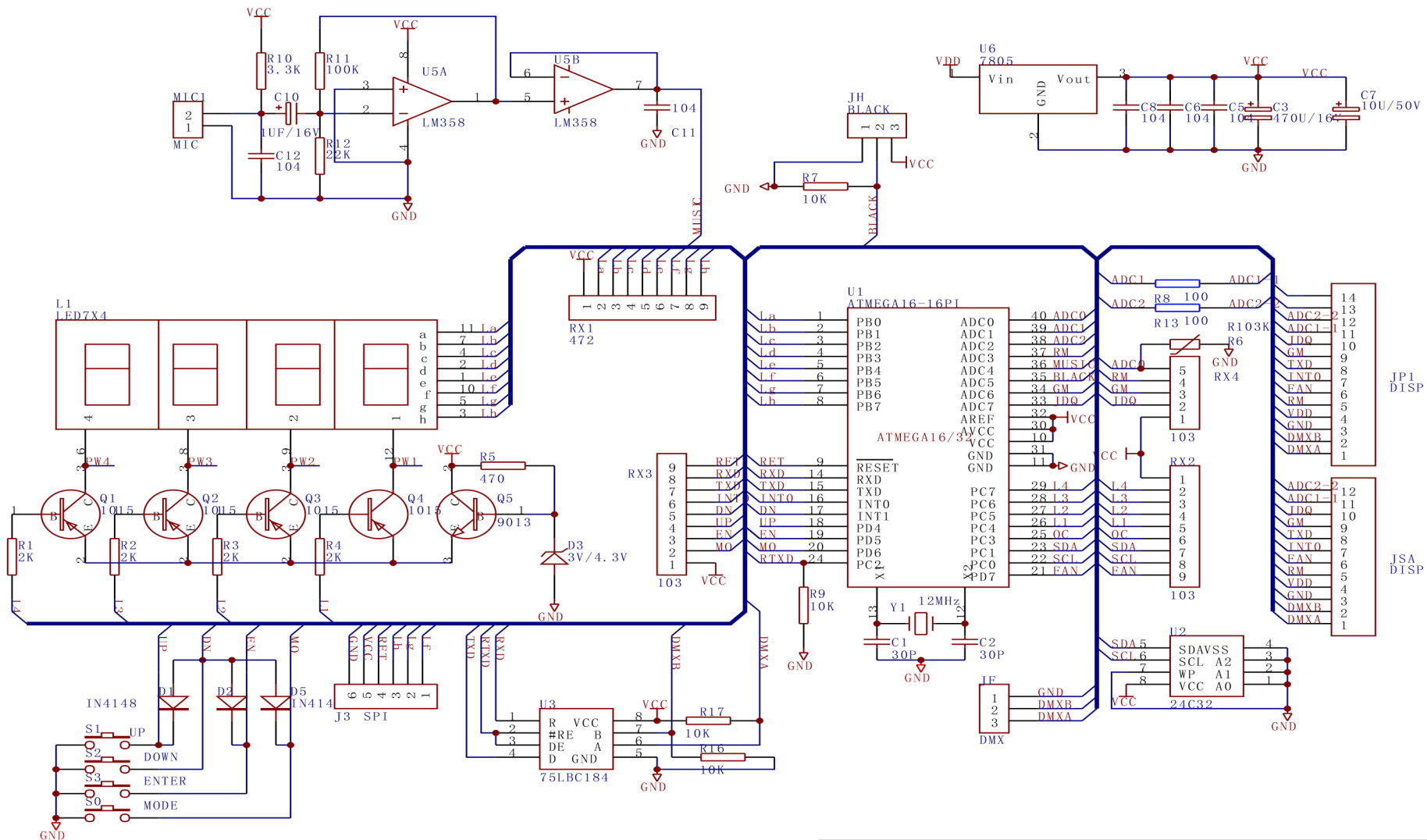
PRODUCT		IDEA SPOT 575			
PIC. NO.		PCB0042C SCHEME			
EDIT		FILE NO.	GS-WIDL-163	PAGE NO.	26/30
CHECK		VERSION	NR	DATE	2007. 10. 10
APPROVE		ECN NO.		DATE	



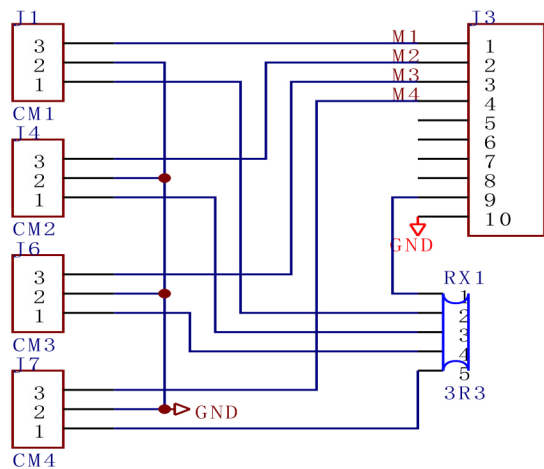
PRODUCT		IDEA SPOT 575			
PIC. NO.		PCB0162A SCHEME			
EDIT		FILE NO.	GS-WIDL-170	PAGE NO.	27/30
CHECK		VERSION	NR	DATE	2007. 10. 10
APPROVE		ECN NO.		DATE	



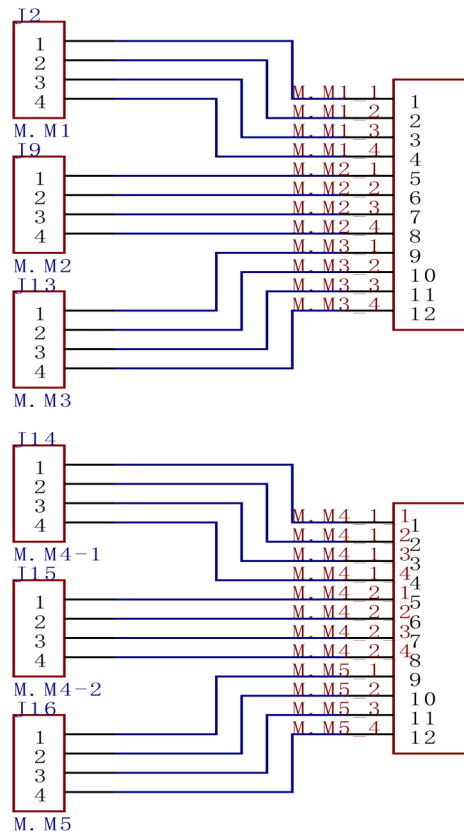
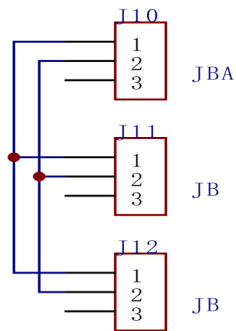
PRODUCT		IDEA SPOT 575			
PIC. NO.		PCB0166B SCHEME			
EDIT		FILE NO.	GS-WIDL-169	PAGE NO.	28/30
CHECK		VERSION	NR	DATE	2007. 10. 10
APPROVE		ECN NO.		DATE	



PRODUCT		IDEA SPOT 575			
PIC. NO.		DISP-003 SCHEME			
EDIT		FILE NO.	GS-WIDL-048	PAGE NO.	29/30
CHECK		VERSION	NR	DATE	2007. 10. 10
APPROVE		ECN NO.		DATE	

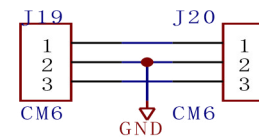
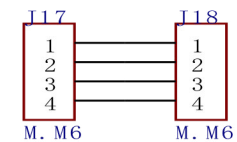


JKB



J5  
JOA

J8  
JOB



PRODUCT		IDEA SPOT 575			
PIC. NO.		PCB127B SCHEME			
EDIT		FILE NO.	GS-WIDL-171	PAGE NO.	30/30
CHECK		VERSION	NR	DATE	2007. 10. 10
APPROVE		ECN NO.		DATE	